

## TF1 Omega Filter 22mm With Valves 62249

High capacity and compact design. Ideal for use in restricted spaces

Easy to install – fits on horizontal and vertical pipework in both flow directions. The filter can operate at an angle of 45°

Unique action, removes magnetic and non-magnetic contaminants from system water

Smart, tough, nickel plated forged brass construction and powerful neodymium magnet assembly with threaded magnet cap

Unique manifold with double radial seals and multiple orientation capabilities

Market-leading 25 year warranty



Designed for installation in small or restricted access areas, this high performance sealed, in-line system filter is easy to install and fast and convenient to clean. There is no need to dismantle the unit or replace o' rings during servicing, saving time on-site. Manufactured from high quality, nickel plated, brass, the TF1 Omega Filter uses Hydronic Particle Separation (HPS) technology and magnetic filtration to remove magnetic and non magnetic debris from the system. The quality and reliability of this award-winning filter is supported by a market-leading 25 year warranty.

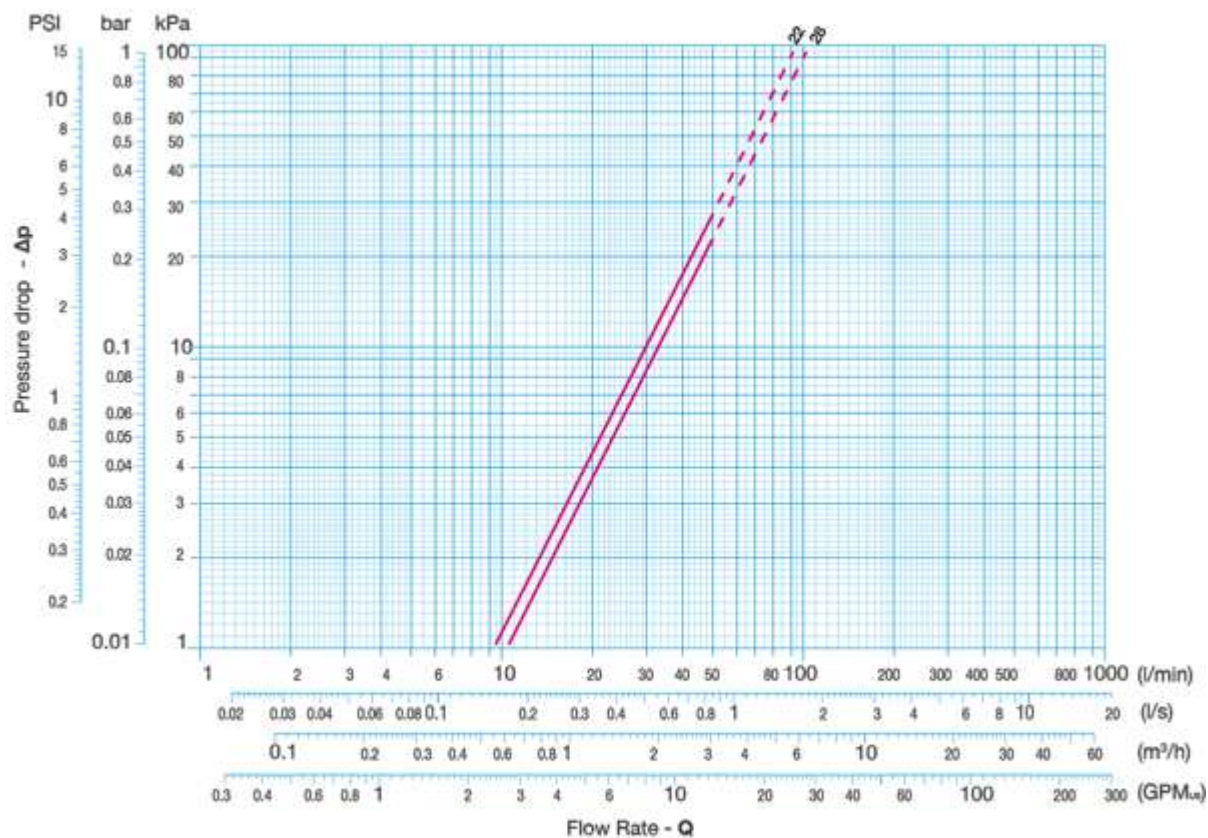
### Single Item

Height mm	90
Width mm	235
Depth mm	145
Weight kg	1.770
Barcode EAN	5014551622494

### Outer Carton

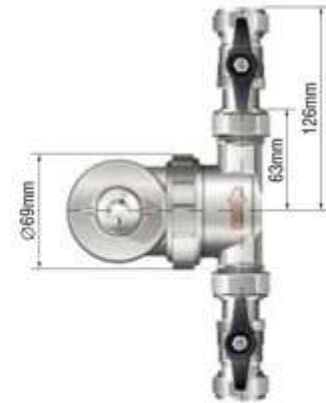
Outer Height mm	190
Outer Width mm	245
Outer Depth mm	300
Outer Weight kg	14.000
OCU Bar Code No. ITG	50145510007942
Transit Type	Euro 1200 x 800

Graph



Dimensions Diagram

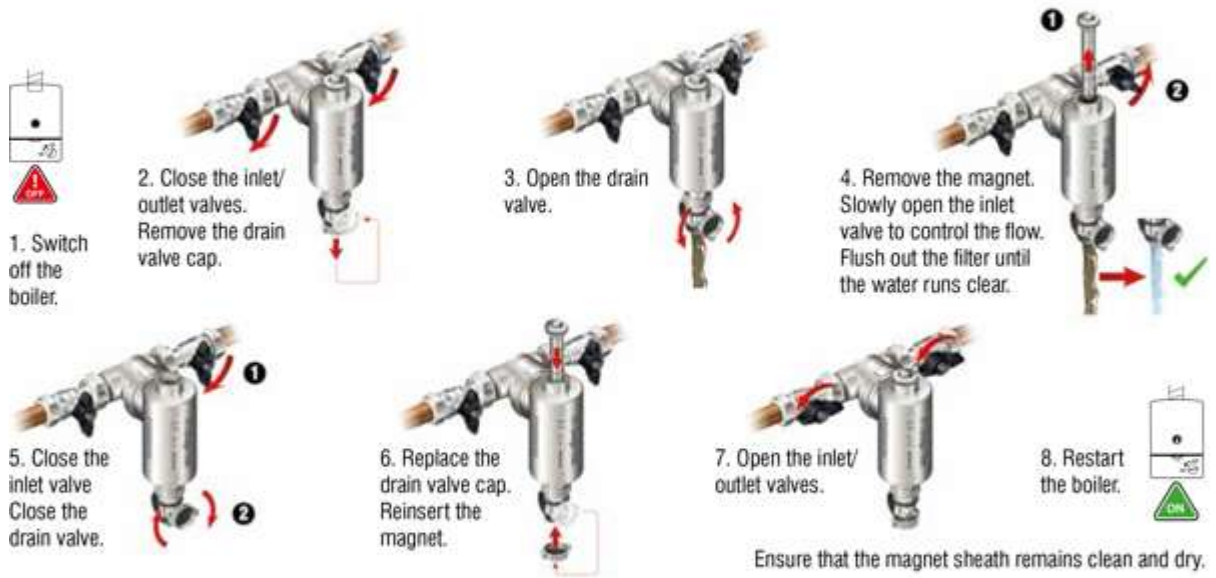
**TF1 Omega Filter 22mm**



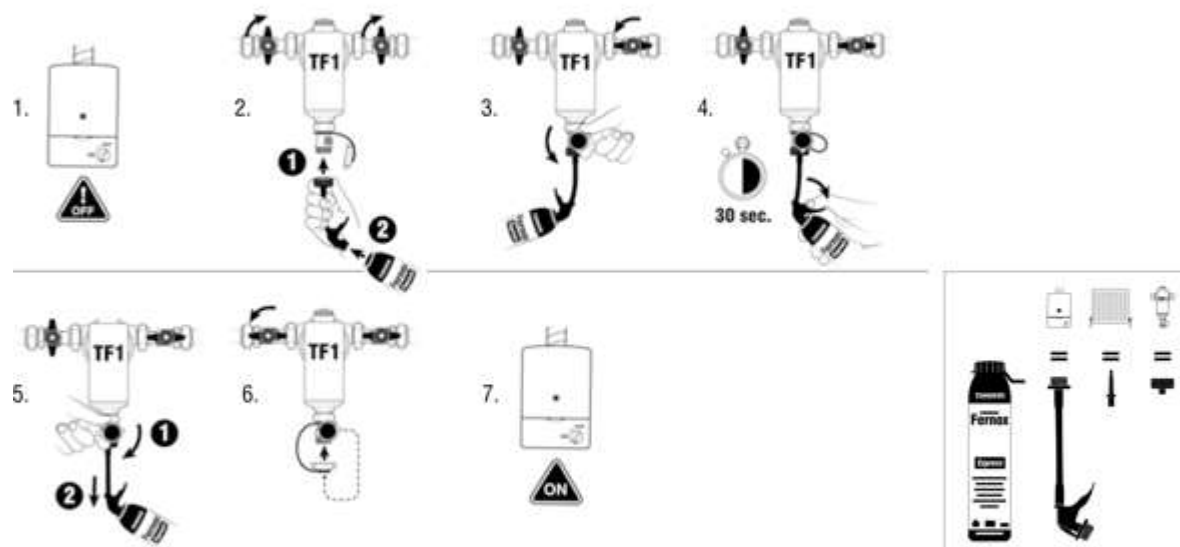
**TF1 Omega Filter 28mm**



## Cleaning Diagram



## Dosing Diagram



Last modification

11-01-2021 (d/m/y)